

### **105QS & 108QS Non-Rising Stem Groove Joint Ends Resilient Wedge Gate Valves**

#### **TECHNICAL SPECS:**

Bolted bonnet non rising stem resilient wedge flangedXgroove. GrooveXgroove.

250 PSI /300 PSI/ 17.2 Bar non shock cold working pressure

Conform to AWWA C509

Coating electrostatically applied fusion bonded epoxy 0.2-0.5 mm inside and outside. Meets ore exceeds AWWA C550.

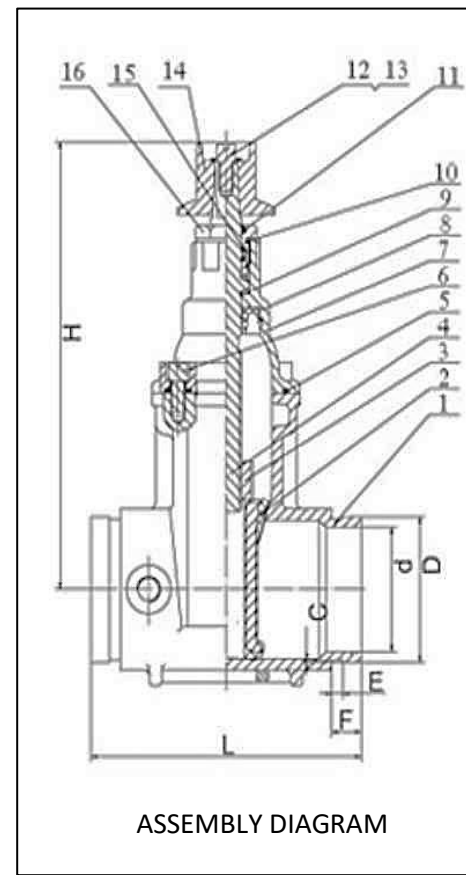
Maximum operating temperature 169°C/72°C.

Freezing weather precaution:- Subsequent to testing a piping system, valve should be in an open position to avoid complete drainage.

#### **Standard material of construction:**

Component	Material
Valve body	Cast iron ASTM A 536
Resilient wedge	Ductile iron ASTM A 536/ EPDM D2000
Wedge nut	Bonze ASTM B 584 UNSC83600
Stem	SS ASTM A 276 UNSC41000
Bonnet gasket	EPDM ASTM D2000
Bonnet screw	Alloy steel ASTM A 574M Zinc plated
Bonnet	Cast iron ASTM A 126 B
Stem primary O ring	EPDM ASTM D2000
Stem thrust washer	SS ASTM A 276 UNSC41000
Gland seal O ring	EPDM ASTM D2000
Stem ring wiper	EPDM ASTM D2000
Operating washer	Carbon steel zinc plated
Operating nut screw	Alloy steel ASTM A 574M Zinc plated
Square operating nut	Cast iron ASTM A 126 B
Handwheel	Ductile iron ASTM A 536
Stem secondary O ring	EPDM ASTM D2000
Stem seal bushing	Brass ASTM B16 UNS C36000

## ASSEMBLY DIAGRAM:



## DIMENSION:

Size		L		C		D		F		G		d		D1		T		Bolt circle		Flange holes	Turns to open
In	mm	In	mm	In	mm	In	mm	In	mm	In	mm	In	mm	In	mm	In	mm	In	mm		
3	80	8	203	0.08	2	3.5	89	0.35	9	0.98	25	10	254	3	73	0.75	19	6	152	4φ-19	10.5
4	100	9	229	0.08	2	4.49	114	0.35	9	0.98	25	10	254	4	100	0.94	24	7.5	190	8φ-19	13.75
6	150	10.5	267	0.08	2	6.61	168	0.35	9	0.98	25	12.4	315	6	150	1	25.4	9.5	241	8φ-23	16
8	200	11.5	292	0.09	2.3	8.62	219	0.47	12	1.22	31	14.76	375	8	200	1.13	28.6	11.73	298	8φ-23	17.5
10	250	13	330	0.1	2.55	10.74	272.9	0.52	13.2	1.25	31.7	16.38	416	10	250	1.19	30.2	14.25	362	12φ-23	21.5
12	300	14	356	0.13	3.35	12.78	324.5	0.52	13.2	1.25	31.7	17.52	445	12	300	1.25	31.8	17.01	432	12φ-24	26