

# Fire protection solutions for what you value most



PRODUCT RANGE - Fixed suppression systems

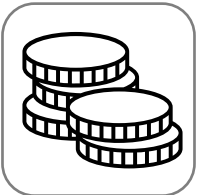
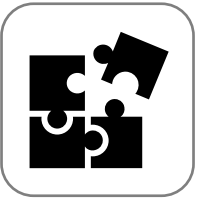
# CONTENT

01. Chemical system
02. Inert system
03. Carbon dioxide system

## HFC-227ea and FK-5-1-12



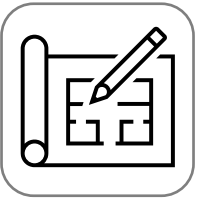
1. **High pressure 50 bar system**, direct flow type of valves.
2. **Seamless cylinder up to 220 L**, the unique and biggest cylinder in the market for 50 bar pressure.
3. **Minimum stock**, components compatible with Inert and CO<sub>2</sub> material, advantages for production and distribution.
4. **Cost-effective material**, high filling ratio with single cylinder.
5. **Safe**, all components can be assembled and disassembled with or without pressure.
6. **Certified by VdS**, system and software.



## HFC-227ea and FK-5-1-12



7. **Two agents** (HFC-227ea and FK-5-1-12) **approved hardware**, possibility to change agent without changing the equipment.
8. **Direct release circuit**, no need of pilot cylinder.
9. **New digital documents**, allows installers to define the parameters easily, quickly and intuitively.
10. **Discharge-free commissioning system and** no spare parts after discharge.
11. **Easy installation**, leakage points reduced with dedicated sealing solution.



# Technical details

## TECHNICAL DATA SHEET VALVE DN50

Code:  
07127XDrawing n°:  
TDS07127X-BRevision:  
BDate:  
29/04/2019

### Description:

This valve can be activated electrically, pneumatically or manually. It is suitable to use at temperatures from -20 °C to +50 °C. It is equipped with a safety disc to serve as a pressure relief device to protect the equipment against excessive internal pressure due to high temperature variations. Attention: Keep the protective cap for transportation and manipulation procedures.

Valve	Working pressure	Burst disc	Test pressure	Working temperature	Materials
DN 50 25 BAR (071271)	25 bar	60 bar	110 bar	-20°C to +50°C	Valve body: Brass Pistons, screws, closing pistons, gasket holder: Stainless Steel, Brass Elastomeric gasket: EPDM Safety disc: Nickel, Copper
DN 50 50 BAR (071272)	50 bar	95 bar			

- 1 Push seat valve for filling application
- 2 Solenoid connection, M20x1.5
- 3 Punch marking:  
π 0589 ISO QB  
VdS / CE 0786  
07127X - ####  
3" - 12UN / 2.5" - 12 UN  
LOGO AIRfire  
TP: 110 bar
- 4 Pressure gauge connection, M12x1
- 5 Pilot connection thread, G1/8"
- 6 Safety screw with burst disc
- 7 Actuator connection, M36x1.5

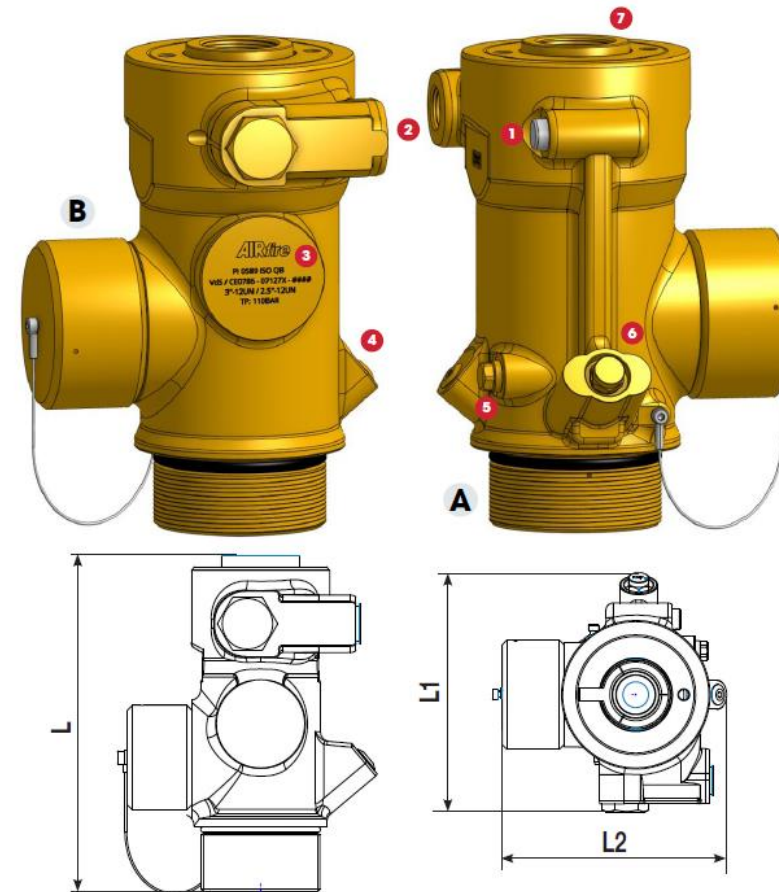
General tolerances: ISO 2768-1 m

Valve	Thread (A)	Thread (B)	Dip tube thread	L (mm)	L1 (mm)	L2 (mm)	Cross section (mm <sup>2</sup> )
DN 50 (07127X)	Male 3" - 12UN	Male 2.5" - 12UN	Female 2.125" - 16UN	215.5	164	154	1885



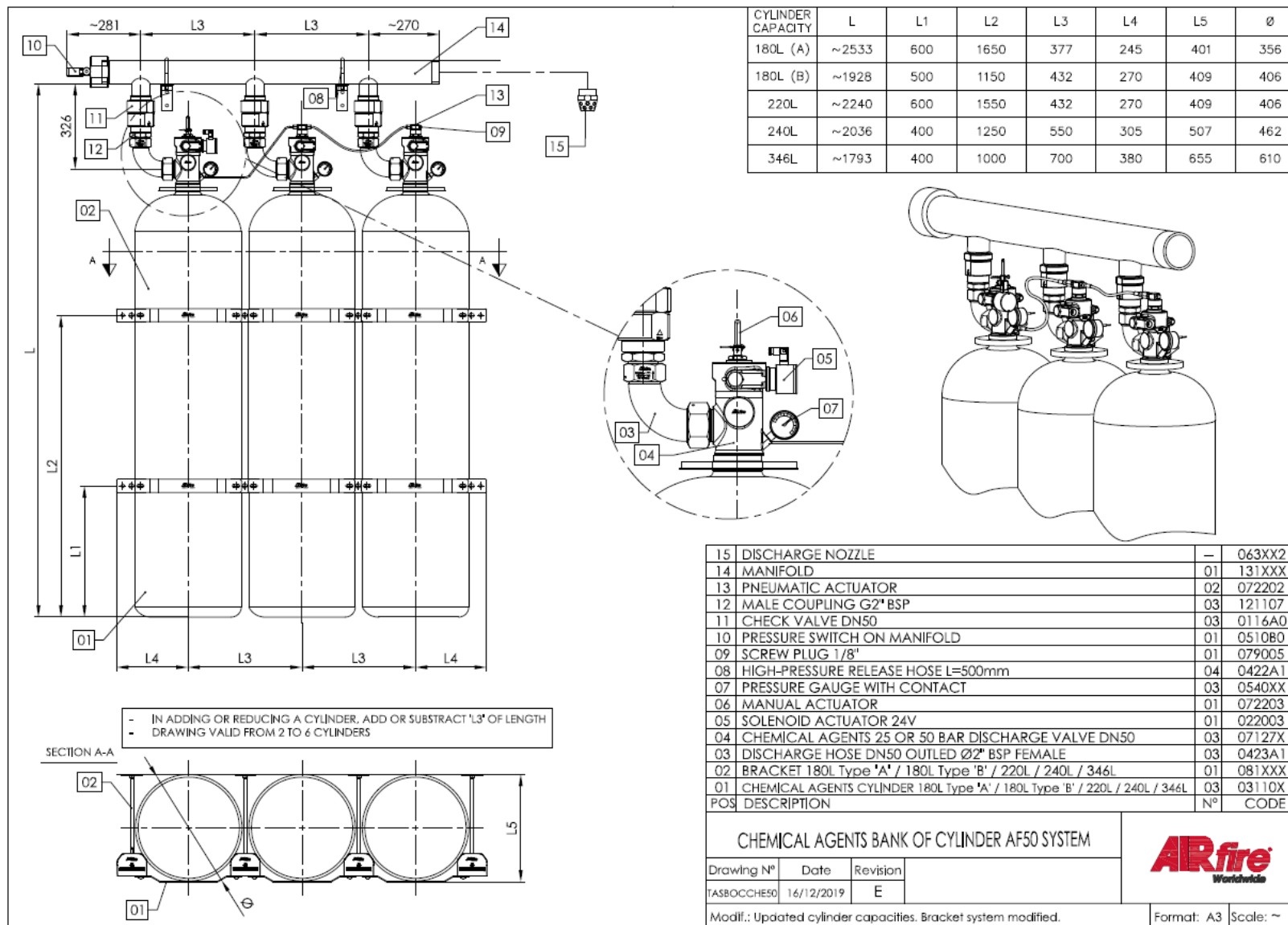
Approvals: VdS approved according to CPR 305/2011/EU (EN 12094-4)

Valid for: FK-5-1-12, HFC-227ea and HFC-125



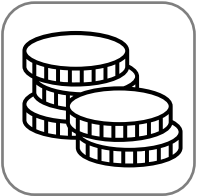
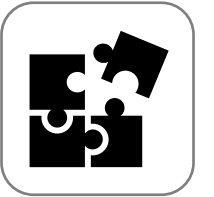
AIRfire Worldwide®, S.L. reserves the right to change or modify without previous notice any specification due to modifications in order to improve the products. AIRfire Worldwide® and ARMANfire® are registered trademarks of AIR fire® S.p.A. all rights reserved.

# Assembly



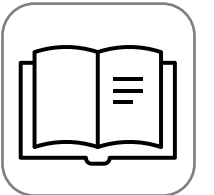
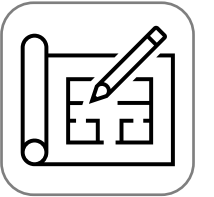
## IG-01, IG-100, IG-55 and IG-541

1. **All agents available:** IG-01, IG-100, IG-55 and IG-541.
2. **Wide range** of configurations: 80 L and 140 L both at 200 bar or 300 bar.
3. **Minimum stock**, components compatible with Chemical and CO<sub>2</sub> material, advantages for production and distribution.
4. **Seamless and modular manifold**
5. **Modular** and easy to assemble brackets
6. **Certified by VdS**, system and software.



## IG-01, IG-100, IG-55 and IG-541

7. **Safe**, all components can be assembled and disassembled with or without pressure.
8. **Direct release circuit**, no need of pilot cylinder.
9. **Discharge-free commissioning system and** no spare parts required after discharge.
10. **New digital documents**, allow installers to define the parameters easily, quickly and intuitively.
11. **Easy installation**, leakage points reduced with dedicated sealing solution.



# Technical details

## TECHNICAL DATA SHEET

### VALVE DN12 INERT

Code: 0732XX

Drawing n°: TDS0732XX-B

Revision: B

Date: 12/06/2019



#### Description:

This valve can be activated electrically, pneumatically or manually. It is suitable to use at temperatures from -20 °C to +50 °C. It is equipped with a safety disc to serve as a pressure relief device to protect the equipment against excessive internal pressure due to high temperature variations. Attention: Keep the protective cap for transportation and manipulation procedures.

Valve	Working pressure	Burst disc	Test pressure	Working temperature	Materials
DN 12 200 BAR	200 bar	270 bar	360 bar	-20°C to +50°C	Valve body: Brass Pistons, screws, closing pistons, gasket holder: Stainless Steel, Brass Elastomeric gasket: EPDM Safety disc: Nickel, Copper
DN 12 300 BAR	300 bar	405 bar			

- 1 Push seat valve for filling application
- 2 Actuator connection, M36x1.5
- 3 Pressure gauge connection, M12x1
- 4 Pilot connection thread, G1/8"
- 5 Safety screw with burst disc
- 6 Punch marking:  
0732XX  
π 0589 ATR D 2/11 Typ C  
VdS / CE 0786 LPCB  
Production number  
####  
25E or 1"NPT / M24x1.5 or W21.8x1/14"  
TD  
TP: 360 bar  
40 kg

General tolerances: ISO 2768-1 m

Code	Thread (A)	Thread (B)	L (mm)	L1 (mm)	L2 (mm)	Cross section (mm²)
073201 (200 bar)	Male 25E	Male M24x1.5	104	56.6	77.7	113.1
073202 (300 bar)						
073211 (200 bar)	Male 1" NPT					
073212 (300 bar)						
073221 (200 bar)	Male 25E	Male W21.8x1/14"				
073222 (300 bar)						

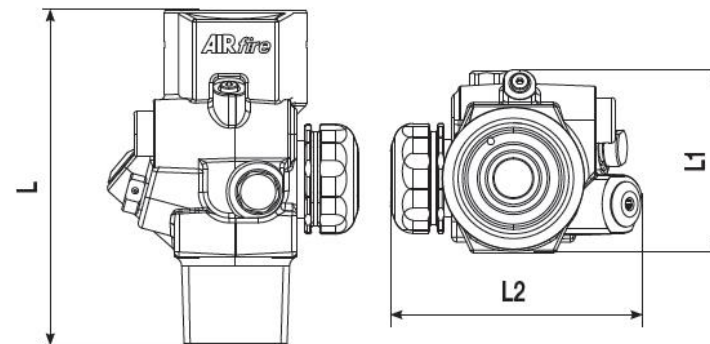
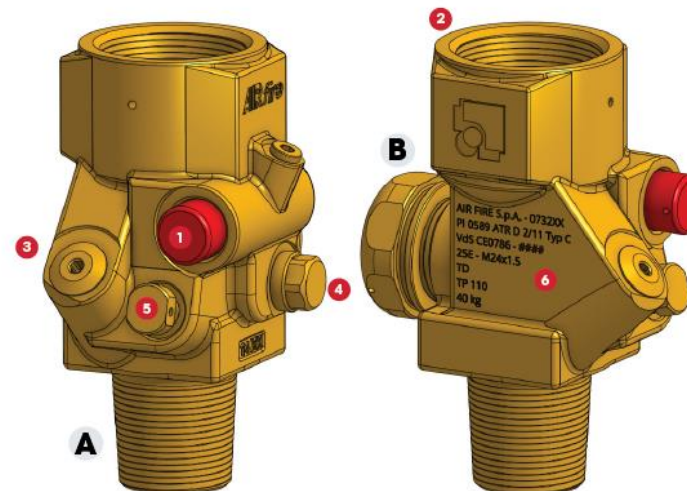


Cert/LPCB ref. 1239Ca



Approvals: VdS and LPCB approved according to CPR 305/2011/EU (EN 12094-4)

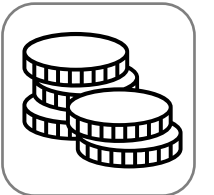
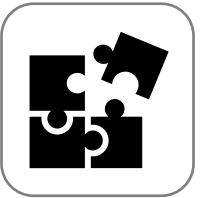
Valid for: IG-01 / IG-55 / IG-100 / IG-541



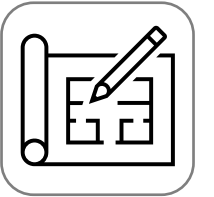
AIRfire Worldwide®, S.L. reserves the right to change or modify without previous notice any specification due to modifications in order to improve the products. AIRfire Worldwide® and ARMANfire® are registered trademarks of AIR fire® S.p.A. all rights reserved.



1. **Compact valve**, no need for cylinder flange, easy shipment.
2. **Differential pressure actuation**, safe in different temperature ranges.
3. **Minimum stock**, components compatible with Chemical and Inert material, advantages for production and distribution.
4. **Seamless and modular manifold**
5. **Modular** and easy to assemble bracket
6. **Certified by VdS**, system and software.



7. **Safe**, all components can be assembled and disassembled with or without pressure.
8. **Direct release circuit**, no need of pilot cylinder.
9. **Discharge-free commissioning system and** no spare parts required after discharge.
10. **New digital documents**, allow installers to define the parameters easily, quickly and intuitively.
11. **Easy installation**, leakage points reduced with dedicated sealing solution.



## TECHNICAL DATA SHEET

VALVE DN12 CO<sub>2</sub>Code:  
0722XXDrawing n°:  
TDS0722XX-BRevision:  
BDate:  
19/06/2019

## Description:

This valve can be activated electrically, pneumatically or manually. It is suitable to use at temperatures from -20 °C to +50 °C. It is equipped with a safety disc to serve as a pressure relief device to protect the equipment against excessive internal pressure due to high temperature variations. Attention: Keep the protective cap for transportation and manipulation procedures.

Valve	Working pressure	Burst disc	Test pressure	Working temperature	Materials
DN 12 140 BAR (0722XX)	140 bar	250 bar	360 bar	-20°C to +50°C	Valve body: Brass Pistons, screws, closing pistons, gasket holder: Stainless Steel, Brass Elastomeric gasket: EPDM Safety disc: Nickel, Copper

- 1 Push seat valve for filling application
- 2 Actuator connection, M36x1.5
- 3 Dip tube connection, M16x1
- 4 Pilot connection thread, G1/8"
- 5 Safety screw with burst disc
- 6 Punch marking:  
0722XX  
π 0589 ATR D 2/11 Typ C  
VdS / CE 0786 LPCB  
Production number  
###  
25E or 1"NPT / M24x1.5 or W21.8x1/14"  
TD  
TP: 360 bar  
40 kg

General tolerances: ISO 2768-1 m

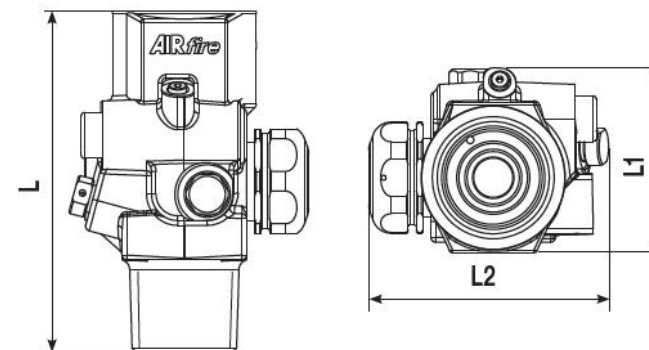
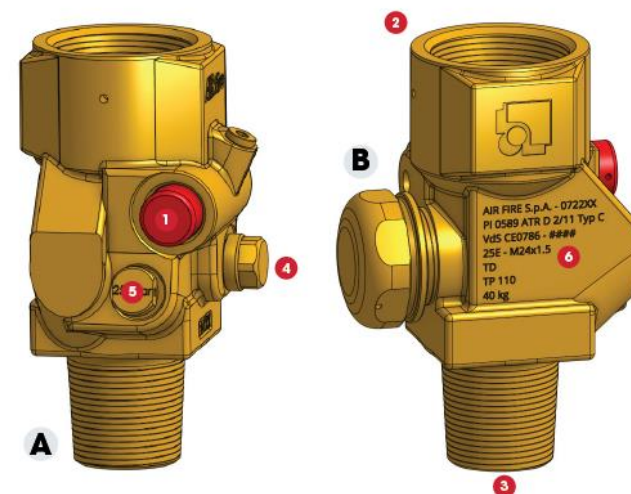
Code	Thread (A)	Thread (B)	L (mm)	L1 (mm)	L2 (mm)	Cross section (mm <sup>2</sup> )
072201	Male 25E	Male W21.8x1/14"	104	56.6	71.8	113.1
072211		Male M24x1.5				
072221	Male 1" NPT	Male M24x1.5				



Cert/LPCB ref. 1239Ca



Approvals: VdS and LPCB approved according to CPR 305/2011/EU (EN 12094-4)

Valid for: CO<sub>2</sub>

AIRfire Worldwide®, S.L. reserves the right to change or modify without previous notice any specification due to modifications in order to improve the products. AIRfire Worldwide® and ARMANfire® are registered trademarks of AIR fire® S.p.A. all rights reserved.

