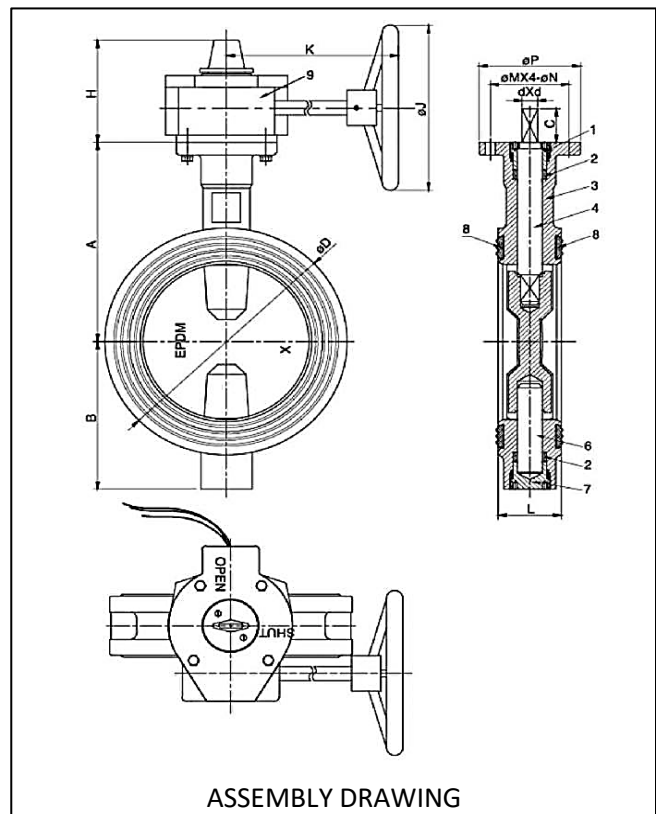


TECHNICAL SPECS:

- Working pressure: 300 PSI (21 BAR)
- Working temperature: -20°C to 110°C
- Standards:
 1. Design standard: API 609
 2. Face to face standard: ASME B16.1
 3. Top standard: ISO 5211
 4. Test standard: API 598

Standard Material of Construction:

No	Component	Material
1	Upper shaft sealing nut	WBC
2	Shaft seal	EPDM
3	Body	DI
4	Upper shaft	SS416
5	Disc	DI + EPDM
6	Lower shaft	SS416
7	Lower shaft sealing nut	WBC
8	End face seal	EPDM
9	Signal gear box	DI



Dimensions:

ITEMS	A	B	C	D	H	K	J	P	M	N	d	L
2 ½"	125	95	32	112	111	218	152	90	70	9	10	44.2
3"	140	100	32	120	111	218	152	90	70	9	11	45.3
4"	160	100	32	165	111	218	152	90	70	9	14	52
5"	170	125	32	182	111	218	152	90	70	9	14	54.4
6"	190	140	32	216	111	218	200	90	70	9	16	55.8
8"	230	175	32	260	126	232	300	125	102	12	19	60.5
10"	260	200	45	320	126	232	300	125	102	12	22	66.5
12"	300	240	45	375	161	252	350	150	125	14	24	76.9