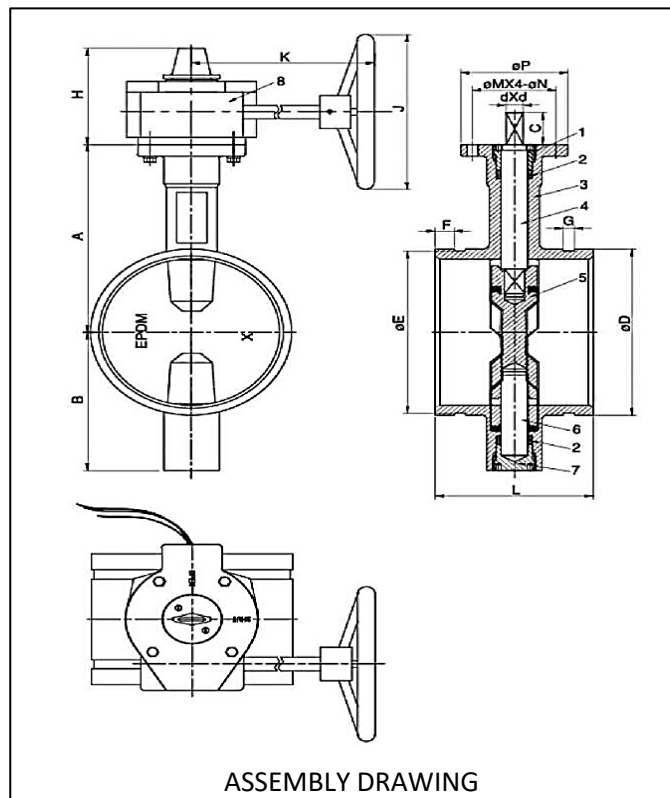


TECHNICAL SPECS:

- Working pressure: 300 PSI (21 BAR)
- Working temperature: -20°C to 110°C
- Standards:
 1. Design standard: API 609
 2. Face to face standard: ASME B16.1
 3. Top standard: ISO 5211
 4. Test standard: API 598

Standard material of construction:

No	Component	Material
1	Upper shaft sealing nut	WBC
2	Shaft seal	EPDM
3	Body	DI
4	Upper shaft	SS416
5	Disc	DI + EPDM
6	Lower shaft	SS416
7	Lower shaft sealing nut	WBC
8	End face seal	EPDM
9	Signal gear box	DI



Dimensions:

ITEMS	A	B	C	D	E	F	H	K	J	P	M	N	d	L
2 ½"	125	95	32	76.1	72.1	15.9	111	218	152	90	70	9	10	96.4
3"	140	100	32	88.9	84.9	15.9	111	218	152	90	70	9	11	97
4"	160	100	32	110.1	110.1	15.9	111	218	152	90	70	9	14	115.1
5"	170	125	32	137	137	15.9	111	218	152	90	70	9	14	132.4
6"	190	140	32	168.3	164	15.9	111	218	200	90	70	9	16	132.4
8"	230	175	32	219.6	214.6	19	126	232	300	125	102	12	19	147.4
10"	260	200	45	273	268.3	19	126	232	300	125	102	12	22	159
12"	300	240	45	324	318.3	19	161	252	350	150	125	14	24	159